
	Product Information XKS-410PL	Manufacturer	LEO
		Address	China,Zhejiang,Wenling
		Contact	0576-89988888
		Date	2023/12/18
Project Name		Client Name	
		Client Addr.	
Item NO		Contacts	
		Contact	

Part NO.	XKS-410PL
----------	-----------

Product Picture	Note
	XKS-410PL can be used for transfer clean water or other liquids similar to water in physical and chemical properties, suitable to be immersed in water for lifting water from well or the pool, and draining water from the basement.

Nameplate parameters

Max.flow	12 m ³ /h
Max.head	8 m
Max. Suction Depth	7m
speed	
Max. Dia of Particle	5mm

Technical

Flow range (m ³ /h)	
Curve tolerance	

Material

Impeller
Diffuser
Pump shaft
Pump flange
Motor base
Coupling
Pump barrel



Working conditions

Medium temperature (°C)	+35 °C
Max. ambient temperature (°C)	
Pumped medium	Clean water
Working pressure	
Maximum inlet pressure	

Installation

Length of Power Cable	10m
outlet dia.	1 1/4"

Motor

Motor phase	Single phase
Protection class	IPX8
Motor poles	
Insulation class	F
Motor power (KW)	0.4kW
Motor model	
Frequency	50Hz
Rated voltage (V)	220V-240V



Product Information
XKS-410PL

Manufacturer	LEO
Address	China,Zhejiang,Wenling
Contact	0576-89988888
Date	2023/12/18

Project Name	Client Name	
	Client Addr.	
Item NO	Contacts	
	Contact	

Rated current (A)

Efficiency class

Power factor

Efficiency (%)

Weight/Packaging

Net weight (kg)

Gross weight (kg) 19.3 kg

Package size 420x350x330mm



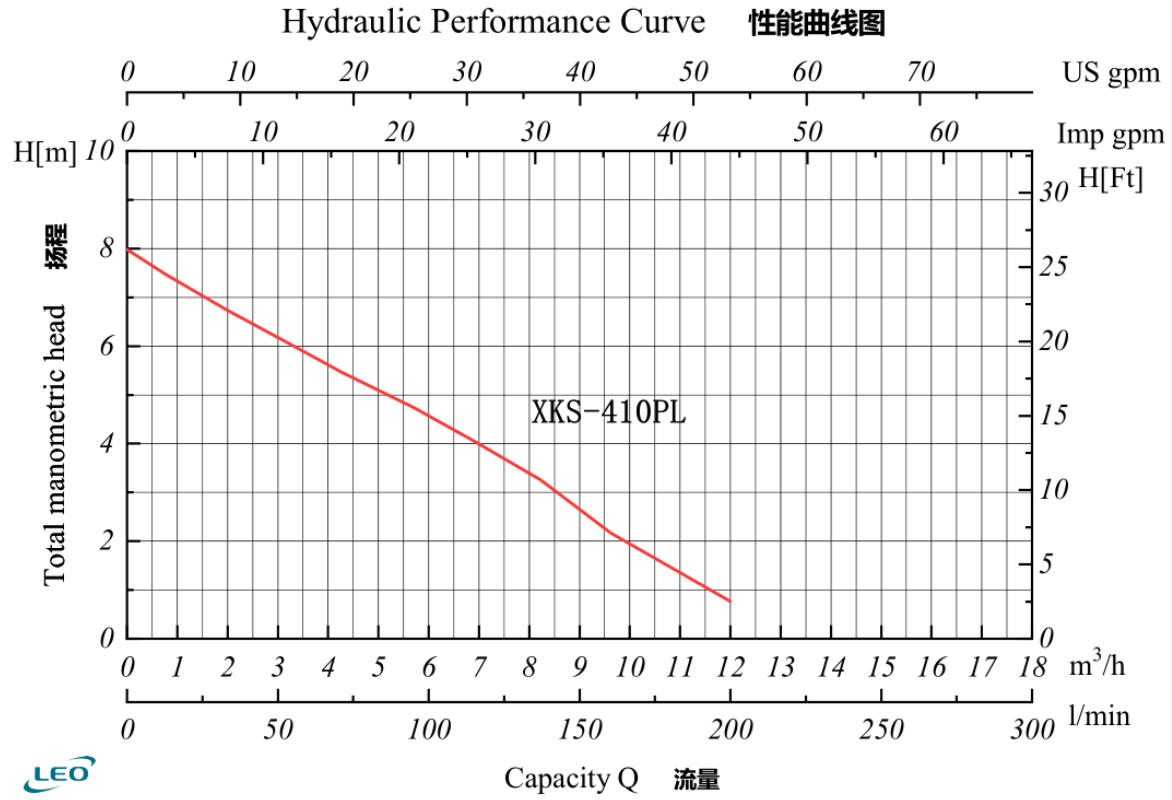


Performance Curve XKS-410PL

Manufacturer	LEO
Address	China,Zhejiang,Wenling
Contact	0576-89988888
Date	2023/12/18
Client Name	
Client Addr.	
Contacts	
Contact	

Project Name

Item NO





Pump Technical Parameters XKS-410PL

Manufacturer	LEO
Address	China,Zhejiang,Wenling
Contact	0576-89988888
Date	2023/12/18

Project Name

Client Name

Client Addr.

Item NO

Contacts

Contact

Rated parameters

Pump model	XKS-410PL
Part NO.	XKS-410PL
Rated flow	12 m ³ /h
Rated head	8 m
Rated efficiency (%)	
Power (kW)	0.4
Speed (rpm)	

Design point parameters

Flow (m ³ /h)	
Head (m)	

Operating point parameters

Flow (m ³ /h)	
Head (m)	
Efficiency (%)	
Power (kW)	
NPSHr (m)	
Speed (rpm)	

Medium

Pumped medium	Water
Working temperature (°C)	
Medium density (kg/m ³)	
Viscosity (mm ² /s)	



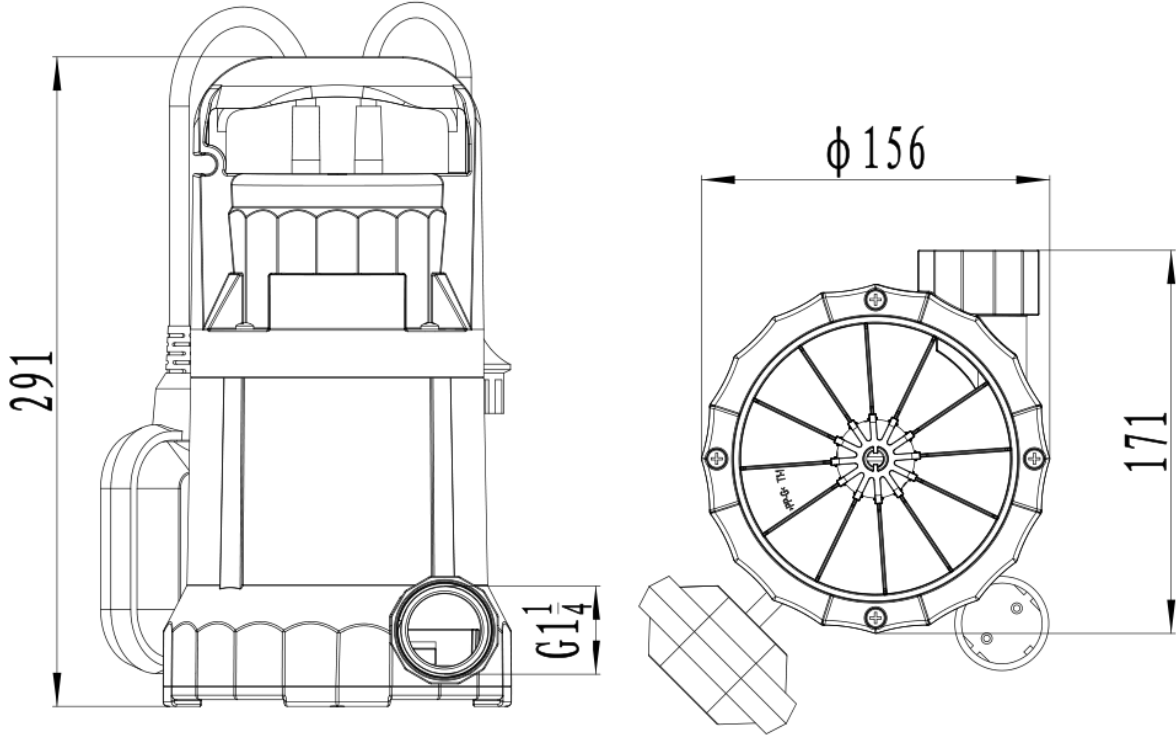


Dimension Drawing
XKS-410PL

Manufacturer	LEO
Address	China,Zhejiang,Wenling
Contact	0576-89988888
Date	2023/12/18
Client Name	
Client Addr.	
Contacts	
Contact	

Project Name

Item NO





Structure picture XKS-410PL

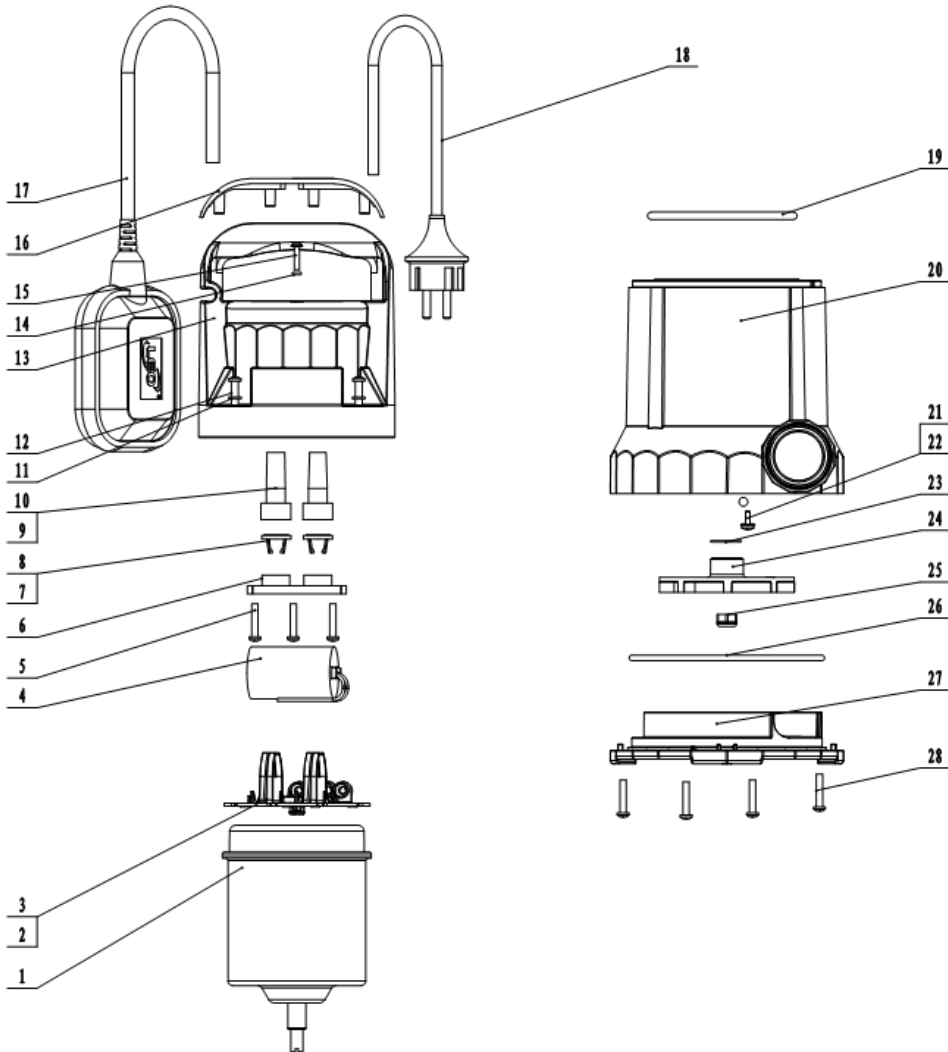
Manufacturer	LEO
Address	China,Zhejiang,Wenling
Contact	0576-8998888
Date	2023/12/18

Project Name

Client Name	
Client Addr.	

Item NO

Contacts	
Contact	



28	10010267	十字槽盘头自攻螺钉ST4.2×22F型	Screw	4	20H (304)	
27	40050207	XKS-410PL底座	Base	1	PP-GF30	
26	10000472	O形密封圈(GB/T 3452.1)123×3.8	O-ring	1	NBR	
25	10007210	非金属嵌件薄型锁紧螺母M8(DIN 985)	Locknut	1	A2-70 (304)	
24	40050198	XKS-410PL叶轮	Impeller	1	PA6-GF25	
23	10034335	平垫φ8.5×φ20×1	Washer	1	200HV (304)	
22	10033172	内六角花型圆头凸缘自攻钉(带针)ST3.5×11	Screw	1	20H (304)	带针
21	10001235	钢珠Sφ6	Ball	1	304	
20	40050206	XKS-410PL泵体	Pump body	1	PP-GF30	
19	10033148	O形密封圈(GB/T 3452.1)90×5	O-ring	1	NBR	
18	10036065	插头线(欧标)-H05RN-F 3G×0.75×10.3m	Plug cord	1		剥150
17	40032988	FL0-01B浮子开关H07RN-F 3G×1mm×0.6m	Float switch	1		剥150
16	40005306	XKS-750P把手衬	Handle inlay	1	PP-GF30	
15	10033172	内六角花型圆头凸缘自攻钉(带针)ST3.5×11	Screw	1	20H (304)	带针
14	10000501	O形密封圈(GB/T 3452.1)2.5×1.8	O-ring	1	NBR	
13	40050208	XKS-410PL顶盖	Main housing	1	PP-GF30	
12	10010266	Y形盘头自攻螺钉YST4.7×35	Screw	4	20H (304)	
11	10001457	平垫圈4(GB/T 97.1)	Washer	4	20H (304)	
10	10002549	XKS-750PW电缆护套	Cable jacket	1	EPDM	
9	10006327	XKS-251P电缆护套	Cable jacket	1	EPDM	
8	40023262	LKS-400PW电缆固定夹	Cable clamp	1	PA6-GF25	
7	40033437	LKS-250P电缆固定夹	Cable clamp	1	PA6-GF25	
6	40013291	XKS-258P电缆固定板	Cable plate	1	PA6-GF25	
5	10001550	十字槽盘头自攻螺钉ST4.2×22F型	Screw	3	ML20Mn	镀锌
4	10022794	CBB60双引线10μF/450V电容35×56/C/70°C/S3	Capacitor	1		引线长130±5
3	10017517	耐高温绝缘端子 150°C/750°C(CE2)	Clip cap	5		
2	40047568	LGS-300P绝缘板	Insulation	1	PP-V0	
1	40050953	SM-5640-2电机(DMC端盖)	Motor	1		



Physical picture
XKS-410PL

Manufacturer	LEO
Address	China,Zhejiang,Wenling
Contact	0576-89988888
Date	2023/12/18

Project Name

Client Name	
Client Addr.	

Item NO

Contacts	
Contact	

